

Experiment No:

Date:

Liquid Lens

Aim:

To find the refractive index of the given liquid using convex lens and plane mirror

Apparatus:

Convex lens, Plane Mirror, given liquid, Pointer, stand etc

Theory:

We can consider the experimental set up as a combination of two lenses, a convex lens (focal length f_G) and a plano - concave liquid lens (focal length f_L)

Then the resultant focal length of the combination is given by the equation

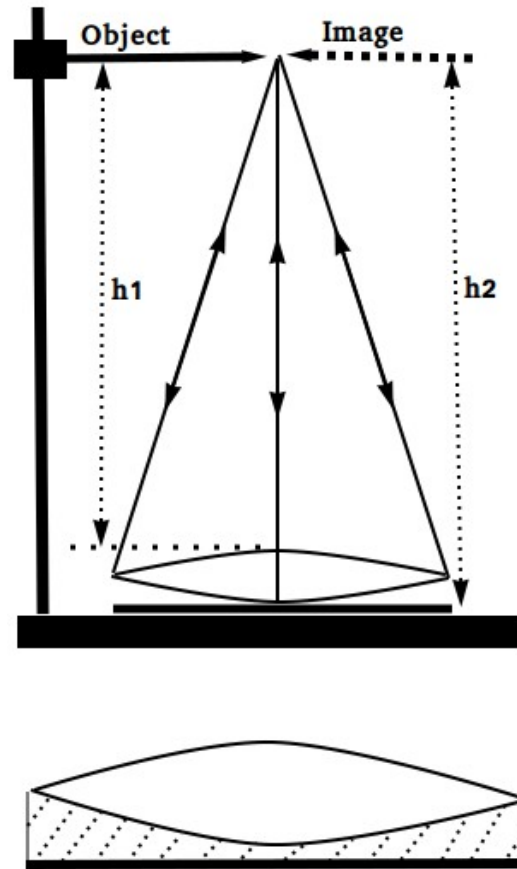
$$\frac{1}{F} = \frac{1}{f_G} + \frac{1}{f_L}$$

Then the focal length of the liquid lens ,

$$f_L = \frac{F f_G}{f_G - F}$$

And refractive index of the liquid is given by

$$n = 2 - \frac{f_G}{F}$$



Observations:

Lens Used	Distance of the pointer from (cm)						Mean (cm)
	Top of the lens			Bottom of the lens			
	1	2	Mean (h_1)	1	2	Mean (h_2)	
Convex Lens							$f_G =$
Combination of Convex Lens and Liquid Lens							$F =$

Calculations:

Focal length of the liquid lens , $f_L = \frac{F f_G}{f_G - F} =$ _____ = _____ cm = _____ m

Refractive index of the liquid $n = 2 - \frac{f_G}{F} =$ _____ = _____

Result:

1. Focal Length of the given Liquid (Water) = _____ m
2. Refractive Index of the Liquid (Water) = _____